



SIGNLIGHTSLED™

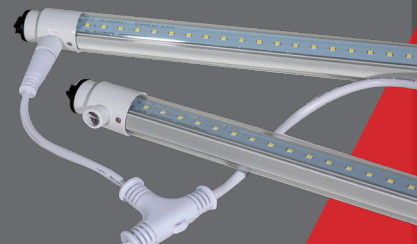
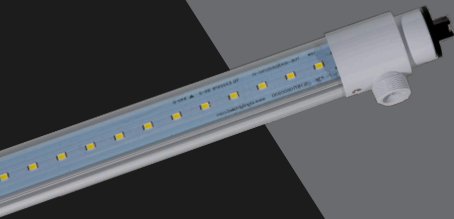
A Sister Company of Krut LED LLC



PRODUCT

CATALOG

2019



About Us	2
LED Sign Tubes (Generation 1)	5
LED Sign Tubes (Generation 2)	7
LED Modules	11
Contact Us	12

Welcome to Signlights LED!

We are proud to offer the most innovative LED Signlights for your market. Signlights LED is the quickest way to retrofit or build a sign cabinet with LED. Our line of products operate off of line voltage, it bypasses the ballast and wiring using existing sockets. This allows installation to be done in less than 5 minutes, no external driver required. We offer multiple sizes to fit all your installation needs.

With over 20 years experience, we understand the impact of LED's on the Signlighting business.

Our goal is to insure that
Together, We Outshine The Competition.



Easy Installation

Our products feature our exclusive internal drivers which means faster and easier installs! No need for additional wiring, external power sources and training for your staff. Our goal is to increase uptime and profitability for you.



Environmentally Friendly

LED lights produce light 90% more efficiently, reduce heat output, offer durability/versatility, require minimum to zero maintenance and offer higher energy savings. LED lights have no mercury or glass content making them safer for our environment. Due to LED lights longer lifespan, bulbs do not have to be replaced as often, therefore reducing waste.



Lower Cost

Signlights LED offers tubes that provide uniform lighting, higher impact signage and increase your business presence at a lower cost. LED lights are able to emit light in a specific direction eliminating your need for costly reflectors or diffusers that can trap light. With Signlights LED, our tubes allow for fast and easy installation reducing your labor cost and actual time spent on the job site. LED lights are more durable and provide substantial cost savings for replacements over the life of your signs.

Why Choose SignLightsLED?

- Our product is custom designed by educated and experienced engineers with expansive experience in Signs and Lighting Installation. We also carry UL certifications on our system, components and drivers.
- We offer Sales Distributorship programs with exclusive benefits.



- We are the only sign light tube to exclusively offer upward of 800 lm/ft.
- Unlike other companies that use module chips, our 2835 chips reduce the chance of any “hot” spots and offer smooth illumination of your sign.

- Our heat sink is designed and located in force to provide the longest life and most efficient performance of our chip.
- Connectors are designed so that you can connect up to 20 tubes of any size in a series, allowing you to retrofit with only one power point.



- No more worries about facings with tube installation, our tube ends feature 180 degree rotation/twist for adjustment ease.
- No need to change, abandon, or augment an existing system for your retrofit, our system works for you!



LED Sign Tubes



Generation 1 Tubes

Circular tube with two sided LEDs, creates a wider illumination and it's an ideal solution for pylon & monument signs

- Double Sided Sign Tube
 - Color: Clear
- Color Temperature: 6000K
- AC100-277V, 50/60Hz
- Power Factor: >0.9
 - CRI: 80Ra
- 5 Year Limited Warranty

Model	Wattage	Lumens
SL07T10600450 (Size: F-18)	7 W	910 LM
SL13T10600600 (Size: F-24)	13 W	1560 LM
SL13T10600750 (Size: F-30)	13 W	1690 LM
SL16T10600900 (Size: F-36)	16 W	2080 LM
SL21T10601050 (Size: F-42)	21 W	2700 LM
SL21T10601200 (Size: F-48)	21 W	2730 LM
SL28T10601500 (Size: F-60)	28 W	3640 LM
SL28T10601600 (Size: F-64)	28 W	3640 LM
SL38T10601800 (Size: F-72)	38 W	4750 LM
SL38T10602100 (Size: F-84)	38 W	4750 LM
SL51T10602475 (Size: F-96)	51 W	6630 LM
SL51T10602700 (Size: F-108)	51 W	6630 LM
SL60T10602925 (Size: F-117)	60 W	8450 LM
SL60T10603000 (Size: F-120)	60 W	8450 LM



E494563



LED Sign Tubes



- **RETROFIT KIT**

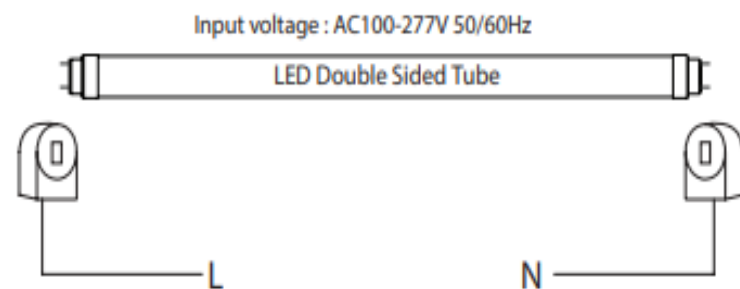
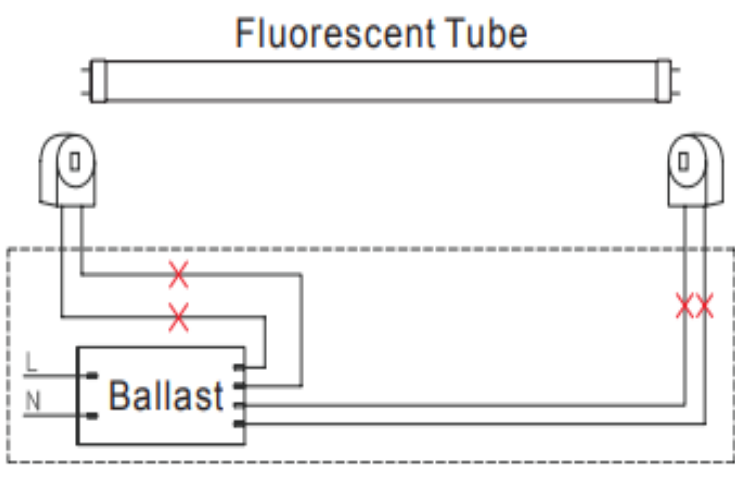
Bright and efficient LED light. Lower energy consumption and maintenance free.

- **INTERNAL POWER SUPPLY**

No need for any External LED Driver or Ballast.

- **HEAT DISSIPATION**

Super heat dissipation structure, lower luminous decay & longer lifespan (50,000 hrs).





LED Sign Tubes

Generation 2 Tubes

Designed to retrofit any Sign (any size) in less than 30 minutes. A super bright, efficient LED light with light output over 700lm/ft. Lower energy consumption and maintenance free.



- Double Sided Sign Tube
 - Color: Clear
- Color Temperature: 6000K
- AC100-277V, 50/60Hz
- Power Factor: >0.9
 - CRI: 80Ra
- 5 Year Limited Warranty



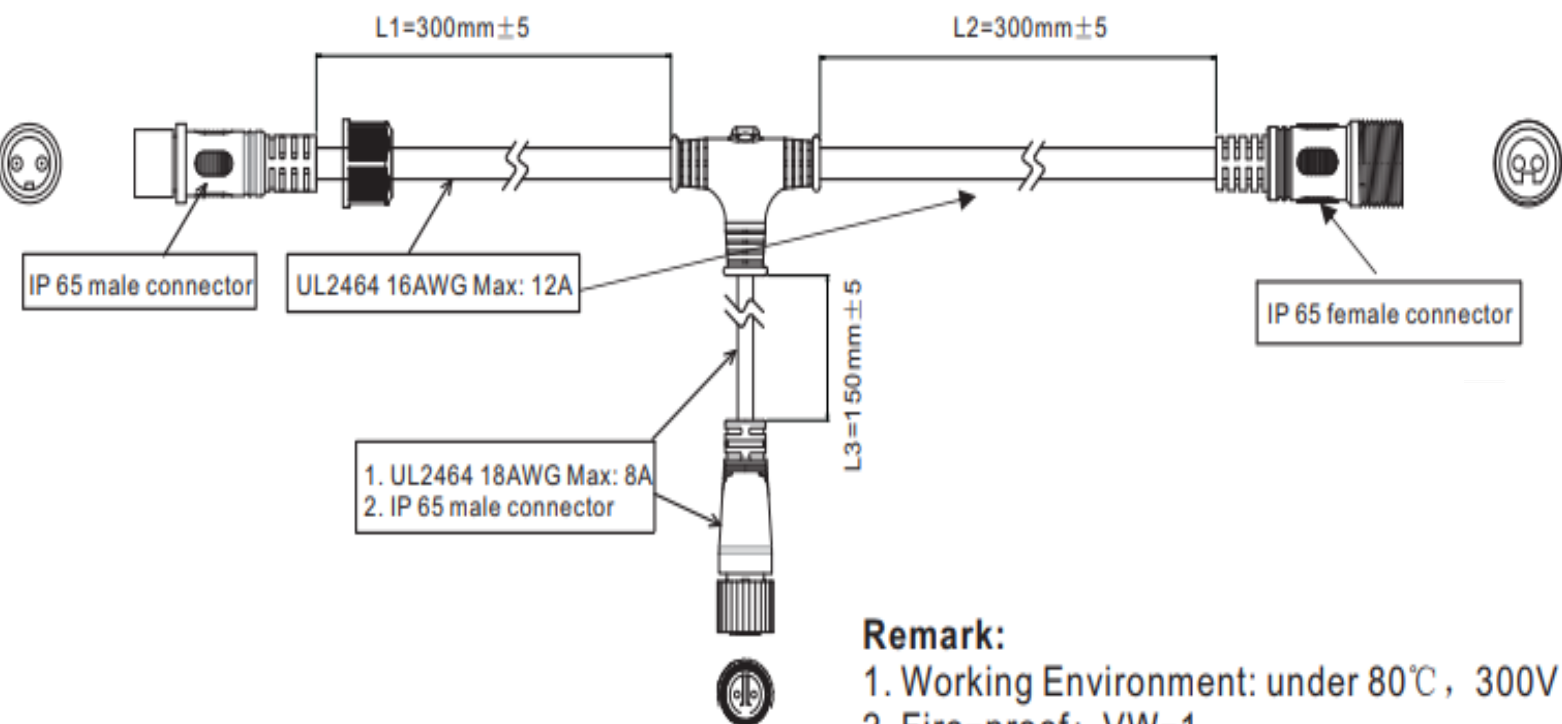
E494563



Model	Wattage	Lumens
2SL07T10600450 (Size: F-18)	7 W	910 LM
2SL13T10600600 (Size: F-24)	13 W	1560 LM
2SL13T10600750 (Size: F-30)	13 W	1690 LM
2SL16T10600900 (Size: F-36)	16 W	2080 LM
2SL21T10601050 (Size: F-42)	21 W	2700 LM
2SL21T10601200 (Size: F-48)	21 W	2730 LM
2SL28T10601500 (Size: F-60)	28 W	3640 LM
2SL28T10601600 (Size: F-64)	28 W	3640 LM
2SL38T10601800 (Size: F-72)	38 W	4750 LM
2SL38T10602100 (Size: F-84)	38 W	4750 LM
2SL51T10602475 (Size: F-96)	51 W	6630 LM
2SL51T10602700 (Size: F-108)	51 W	6630 LM
2SL60T10602925 (Size: F-117)	60 W	8450 LM
2SL60T10603000 (Size: F-120)	60 W	8450 LM

Packaging Information

- F-18's; F-24's; F-30's; F-36's; F-42's; F-48's; F-60's; F-64's; and F-72's are available as 10 piece cartons or 25 piece cartons.
- F-84's and F-96's are available in 10 piece cartons or 20 piece cartons.
- F-108's; F-117's and F-120's are available in 15 piece cartons or 10 piece cartons.

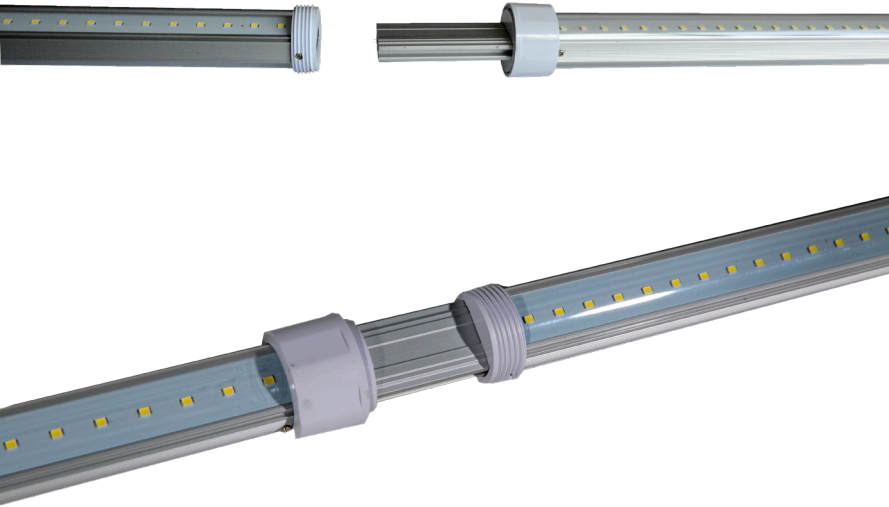


Remark:

1. Working Environment: under 80°C , 300V
2. Fire-proof: VW-1
3. RoHS Standard



LED Sign Tubes



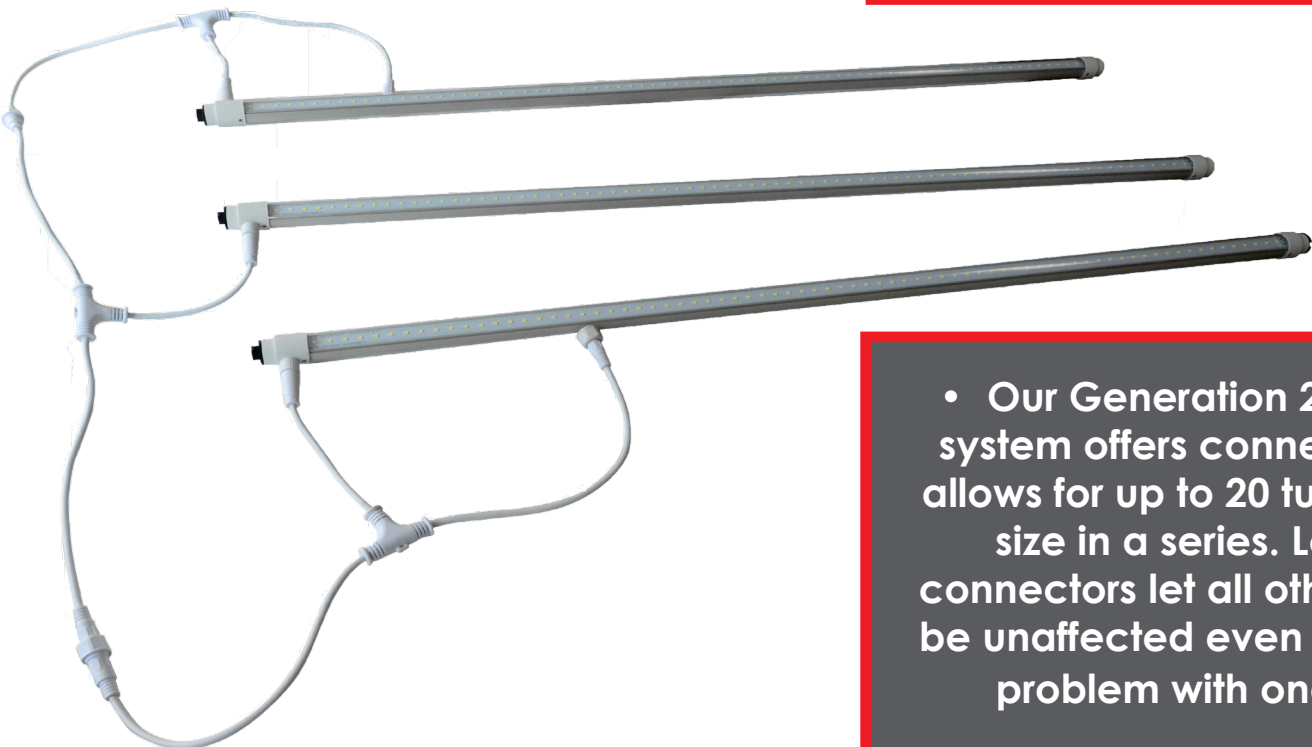
Sizes: F108, F117, F120

- 2 pieces per lamp for easy shipping and handling.



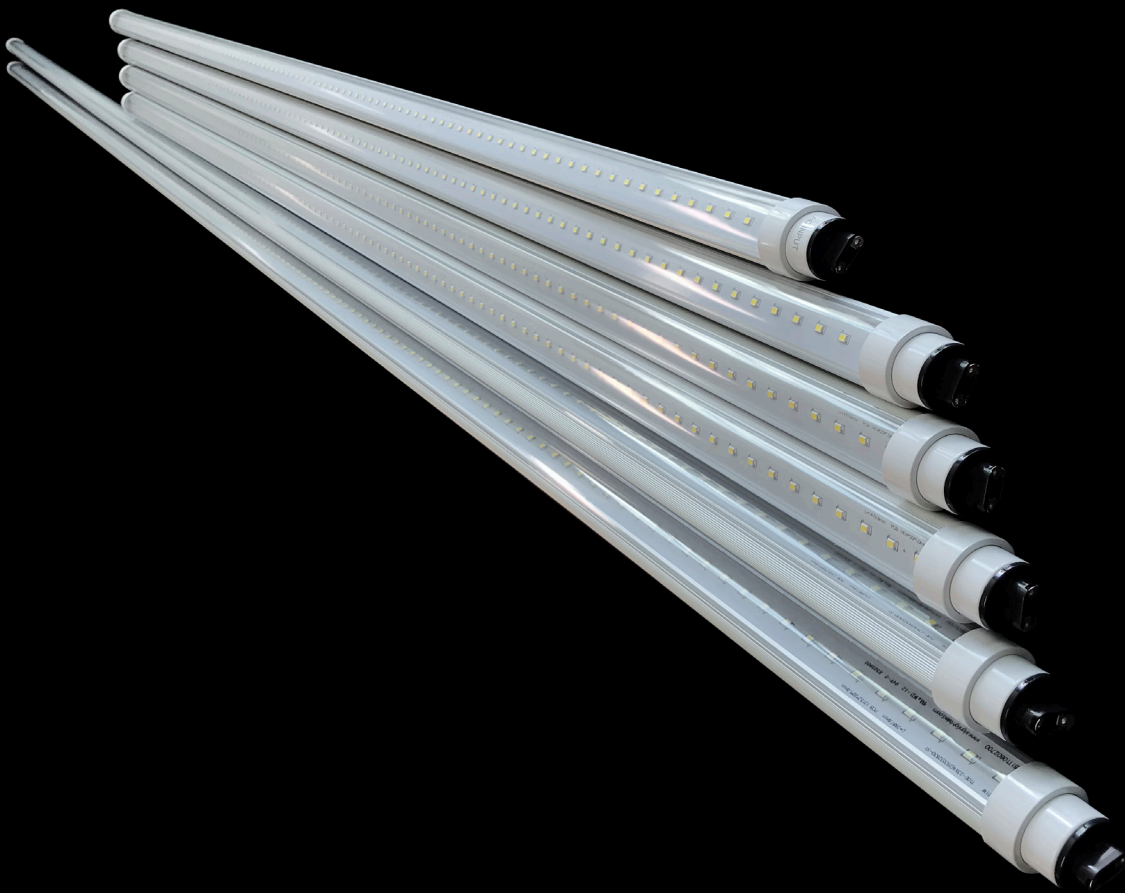
Sizes: F108, F117, F120

- Tubes connect to create large tube, eliminating the issue of transporting larger tubes.



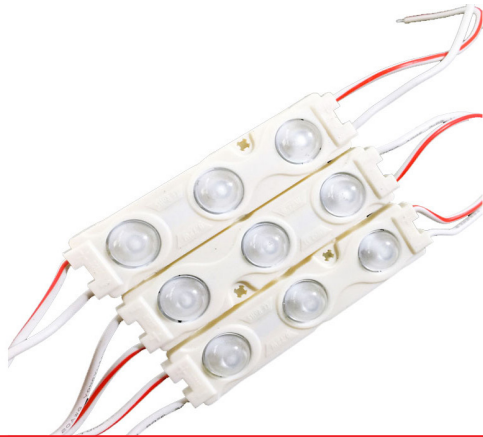
- Our Generation 2 retrofit system offers connectors that allows for up to 20 tubes of any size in a series. Looping connectors let all other lights to be unaffected even if there is a problem with one tube.

LED Sign Tubes



Modules

Waterproof LED Modules are ideal in signage channel letters, advertisement light boxes backlighting, indoor/outdoor decoration and more.



- **50 Lights in Package**
 - **Size (inches):**
2.62 x 0.62 x 0.26
- **Rated Life: 50,000 hrs**
- **Input Voltage- DC12V,**
 - **Max Output: 60mA**
 - **IP Rank: IP65**
 - **CRI: >75**
- **Viewing Angle: 160 °**
 - **5 Year Limited Warranty**

Model	Wattage	Lumens
YS-MD3331-W (Color: White)	0.72 W	20-23LM
YS-MD3331-Y (Color: Yellow)	0.72 W	20-23LM
YS-MD3331-G (Color: Green)	0.72 W	20-23LM
YS-MD3331-P (Color: Purple)	0.72 W	20-23LM
YS-MD3331-O (Color: Orange)	0.72 W	20-23LM





ANDERSON, SC
111 Preamble Court
Anderson, SC 29621
864-401-8156
Sales@krut-led.com

