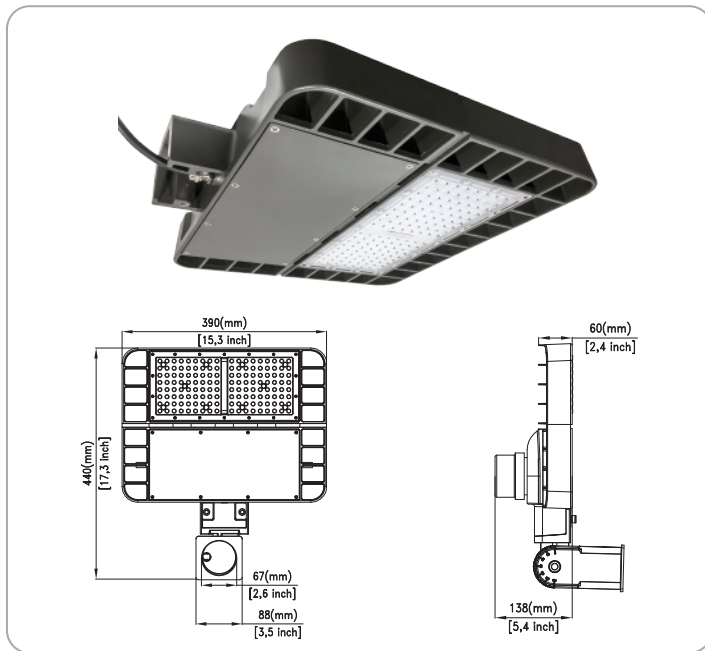


KLBR100SB XX



Driver Info

Type:	Constant Current
120V:	Yes
277V:	Yes
480V:	N/A
Input Watts:	100W
Efficiency:	96%

LED Info

Watts:	100W
Color Temp:	5000K
Color Accuracy:	70CRI
L70 Lifespan:	50000
Lumens:	11500
Efficacy:	115LPW

Application: parking lots, roadways, pathways and general area lightings.

5-years warranty

Color: Bronze or White

Weight: 11.8lbs(5.35Kg)

Technical Specifications

Listings

ETL Listed

Suitable for wet locations.

DLC Listed

This product is on the Design Lights Consortium(DLC) Qualified Products List and is eligible for rebates from DLC Member Utilities.

IESNA LM-79 & IESNA LM-80 Testing:

This product has been tested by an independent laboratory in accordance with IESNA LM-79 and 80, and have received the Department of Energy" Lighting Facts" label.



Electrical

Driver:

Constant Current, Class 2, 110-277Vac,50/60HZ, 0.95Amp@100Vac, Inventronics Brand.

THD:

<20%

Power Factor:

>0.95

Dimming Driver:

Driver includes dimming control wiring for 0-10V dimming systems, Requires separate 0-10V DC dimming circuit, Dims as low as 10%.

Photocell:

This product is equipped with a socket for photocell

Surge Protection:

6kV

LED Characteristics

Lifespan:

50,000-hour LED lifespan based on IES LM-80 results and TM-21 calculations.

LEDs:

Long-life,high-efficiency SMD3030, patent free.

Color Stability:

Comply with DLC's requirements.

Color Uniformity

CCT(Correlated Color Temperature) follows the guidelines of the American National Standard for Specifications for the Chromaticity of Solid State Lighting(SSL) Products, ANSI C78.377-2015.

Construction

IES Classification:

Type III Distribution. Optional of Type IV and Type V by different Models.

Cold Weather Starting:

Minimum starting temperature is -40°F(-40°C)

Ambient Temperature

Suitable for use in 104°F(40°C) ambient Temperatures.

Housing:

Precision die-cast aluminum housing.

Lens:

Clear acrylic lens with integrated optics

Mounting:

Mounts to square poles, round poles or wall etc. by different type of adaptors.

IP Rating:

Wet Location.

Gaskets:

High Temperature silicone gaskets.

Finish:

Formulated for high-durability and long lasting color.

Green Technology:

Mercury and UV free RoHS compliant components Polyester powder coat finish formulated without the use of VOC or toxic heavy metals.

Other

5 Yr Limited Warranty:

Fixture operation and paint finish are covered for a period of 5 years.

Accessories options:

Photocell
Shorting cap
Mounting adaptors type A/G/C/H

KLBR100SB XX

Order Information

KL	BR	Wattage	SB	Color	CCT	Voltage	P/N
BL	PKL	100W 150W 200W 240W 300W	SB	White Bronze	40K: 4000K 50K: 5000K	High voltage (HV) Regular	P: W/ Photocell Socket N: W/O Photocell Socket
KL	BR						

Accessories

Photocell Options:



Photocell

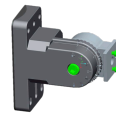


Shorting Cap

Mounting Adaptor Options:



Type A: Slip Fitter



Type G: Square Pole Mount



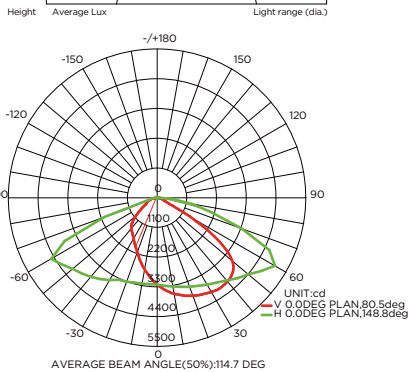
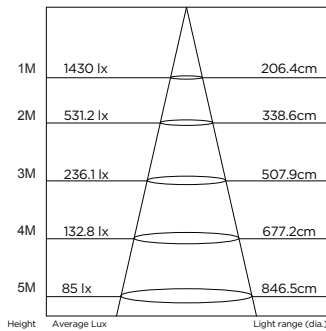
Type C: Trunnion



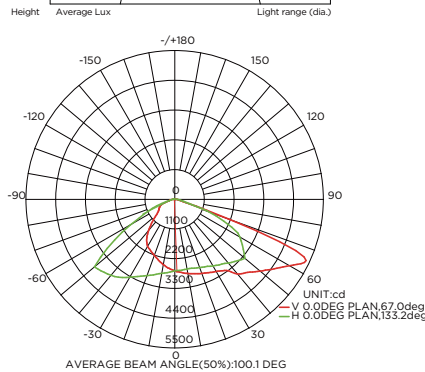
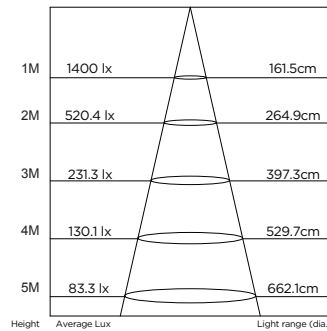
Type H: Round Pole Mount

Lux Chart/Photometrics

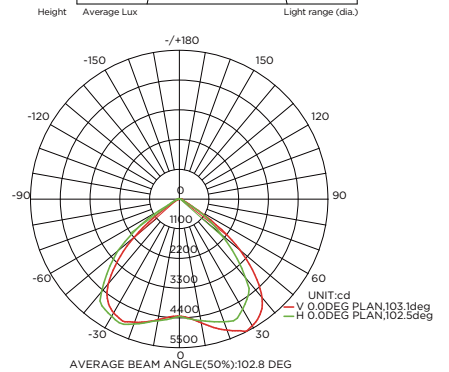
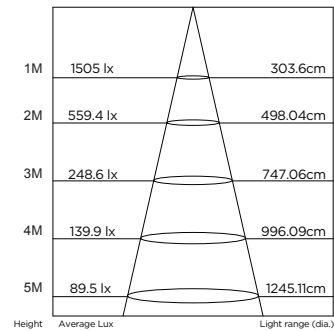
Type III



Type IV



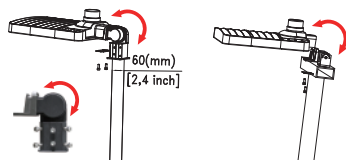
Type V



Installation Options

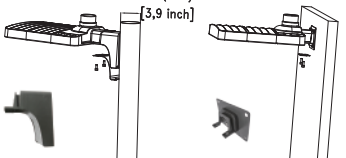
A: Slip Fitter

C: Trunnion



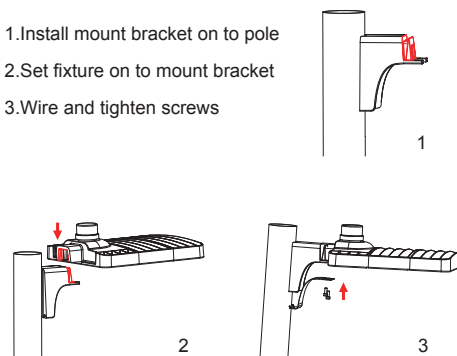
Square or Wall Mount

Round Pole Mount 100(mm)



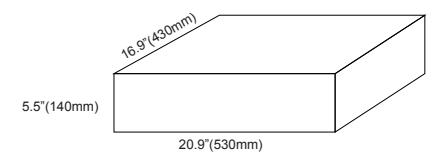
Installation Steps

1. Install mount bracket on to pole
2. Set fixture on to mount bracket
3. Wire and tighten screws



Packaging

1pcs/CTN G.W.:6.25 kg
Dimension: 20.9"L x 16.9"W x 5.5"H (530mm x 430mm x 140mm)



40'hq	2052 pcs
40'gp	1784 pcs
20'gp	884 pcs