

Tomline Linear Highbay T10C

Unique and patent design

100W / 150W / 200W

Features

Extrusive aluminum 6063 housing, outstanding heat dissipation performance

Extremely energy efficient - up to real 150 lm/w

IP65 and IK10 protection

Optical PC cover with uniform light

Options

1-10V dimmable and DALI driver

Microwave motion sensor

Emergency power supply

Zigbee control

Area of application

Factories

Warehouses

Sports and stadiums

Supermarket

Certificates

American market: **ETL**, **DLC**

European market: **ENEC**, **TUV**, **CE**, **RoHS**, **CB**, **D-Mark**

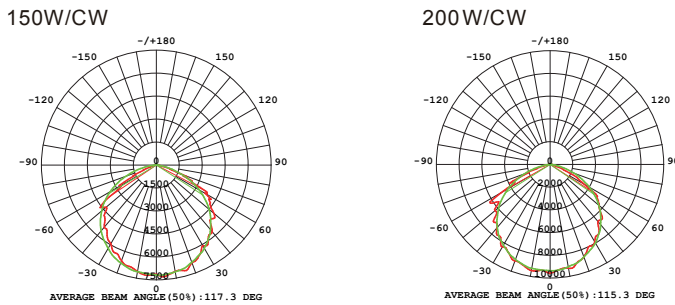
Australian market: **SAA**, **C-Tick**



This Linear highbay light TOMLINE series was specially design for industrial environments. The massive aluminum body provides excellent cooling performance and make sure a long lifespan of LED chips and low light decay from them. The large and break-resistant polycarbonate cover provides a perfect light distribution. This product is an ideal replacement for all sorts of traditional industrial lamps. For different applications this item is available in three versions: standard, lumen plus, and dust free version.



Light Distribution Curve and Average E (LX) Figure---5000K



Basic Specifications

Standard lumen (130lm/W)

Model	Nominal wattages (W)	Nominal voltage	Rated luminous efficacy (lm/w)	Nominal luminous flux (lumen)	Beam Angle	LED Quantity	CRI
T10C-100W	100W	AC100~277V 50~60Hz	130±10	13000±1000	120°	240 PCS SMD 2835	>80
T10C-150W	150W		130±10	15000±1500		360 PCS SMD 2835	
T10C-200W	200W		130±10	26000±2000		480 PCS SMD 2835	

Lumen Plus (150lm/W)

Model	Nominal wattages (W)	Nominal voltage	Rated luminous efficacy (lm/w)	Nominal luminous flux (lumen)	Beam Angle	LED Quantity	CRI
T10C-100W	100W	AC100~277V 50~60Hz	150±10	15000±1000	120°	196 PCS EMC 3030	>70
T10C-150W	150W		150±10	22500±1500		252 PCS EMC 3030	
T10C-200W	200W		150±10	30000±2000		336 PCS EMC 3030	

Electrical datas

Operating frequency	47-63Hz	Available light colors	Warm white; Natural white; daylight white
Type of current	AC 100~277V	Available color temperatures	3000K; 4000K; 5000K; 6000K
Power factor λ	>0.9	Color rendering index Ra	>70, >80 optional
Efficiency in %	>92%	Standard deviation of color matching	< 5
Start time (0.2s / 0.5s / ...)	0.1S	UGR (Unified Glare Rating)	< 27
Warm-up time to 60% (1.5s / 2s / ...)	0.5S	Available beam angles	120°

Photometrical data

Standards & Certification

Type of protection	IP65	Heatsink temperature	-20~+70 °C
Tested dielectric strength	3.75KVac	Ambient temperature	-30~+50 °C
Safety features	Open circuit protection; Short circuit protection; Overvoltage protection	Storage temperature	-40~+80 °C
Certificates	American market: UL, DLC Premium, dUL European market: TUV, GS, CB, CE, D-Mark Australian market: SAA, Ctick, RCM		
Energy efficiency class	A+ & A++		

Temperatures & operating conditions

Lifespan

Rated nominal Lifetime	100.000 hours	Base/Socket	Directly wired
Switching cycles	100.000 times	Dimmable	1-10V dimmable, DALI dimmable,
Lumen maintenance at e.o.l.	L80 / B10 @50,000H L70 / B20 @100,000H		

Features/Capabilities and additional product data

Packing Information

Model	Dimension	CTN SIZE(CM)	QTY/CTN	Net Weight/pcs (kg)	Gross Weight /CTN(kg)
T10C-100W	605*135*72	96*28*18	2PCS	4.4	11
T10C-150W	905*135*72	126*28*18	2PCS	5.5	13.5
T10C-200W	1205*135*72	156*28*18	2PCS	6.6	16.8

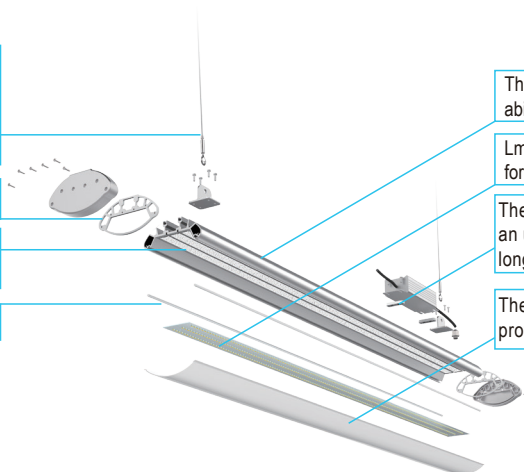
Exploded drawing

Reliable and stable mounting system for a safe and easy installation. The stainless steel hanging rope accessories (30KG weight capacity) are corrosion aging resistant

Perfectly tied end-caps due to a high grade silicone seal

High grade cooling paste provides an excellent heat transition from the aluminum LED PCB to the housing

High grade silicon seals provide a tied fit for the cover.



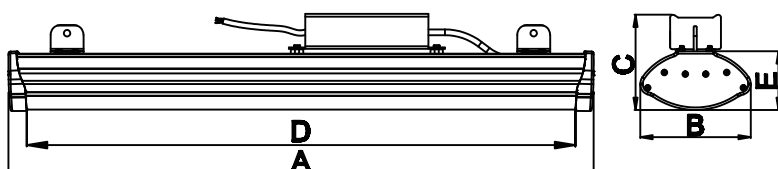
The massive aluminum body provides excellent cooling abilities and assures a long lifespan

Lm80 LED chip delivers up to 150lm/W system efficiency for the whole light

The external driver is mounted on spacers to prevent an unnecessary heat transfer to the driver providing a longer lifespan

The large and break-resistant polycarbonate cover provides a perfect light distribution.

Dimension



A=605 605 905 1205
B=135
C=115
D=565 865 1165 1465
E=72

Included accessories



These corrosion and aging resistant brackets are included. The position can be adjusted by loosening the screws.



These stainless steel hanging ropes are also included. Its weight capacity is 30Kg.

Optional accessories



Dimmable driver 0-10V



DALI Dimmable



Surface mounting bracket with $\pm 60^\circ$ angle adjustment



Emergency pack (IP20 20W for 3 hours)



IP65 Junction Box



IP65 Microwave motion sensor (Merrytec model:MC031V-C)



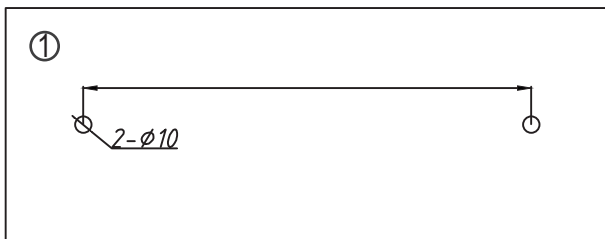
Zigbee control and Gateway

Application and safety notes

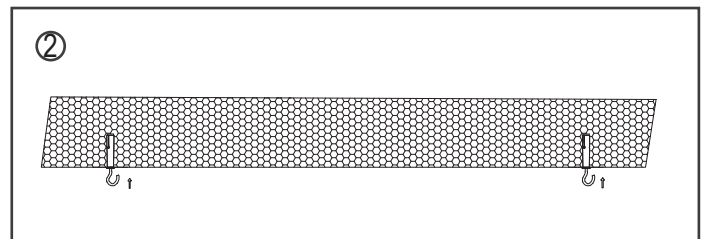
- Carefully read and follow all warnings and instructions before installing or servicing the luminaire.
- The installation should be done by an individual familiar with the construction and operation of the luminaire.
- The installation of this luminaire must be in accordance with national and local building and electrical codes.
- The product must not be damaged or operated in a damaged condition.
- This luminaire must be directly wired on line. Any ballast or other power device previously used with the replaced luminaire must be removed.
- Between the luminaire and any possibly flammable material must be an appropriate safety space (at least 20cm).
- The luminaire must not be covered with heat insulating materials.
- Always provide proper ventilation around the luminaire and do not exceed the maximum ambient temperature.
- Compared to traditional lights the characteristic light distribution of this LED luminaire may differ. In order to be sure to meet your lighting requirements a photometric check of the installation is recommended.

Installation Instructions for suspended use

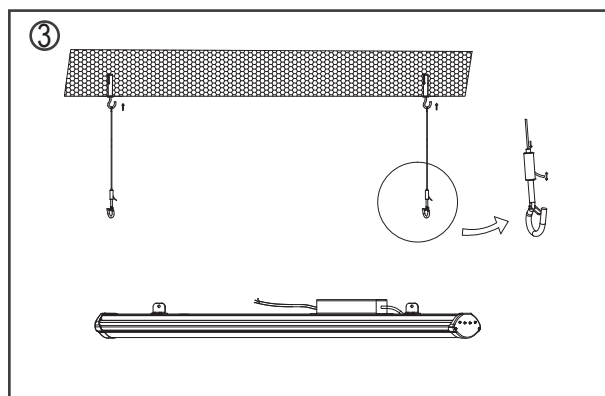
- The modification must be done by qualified personal
- Before you start make sure that the supply voltage is disconnected so you can work safely
- Drill two 10mm holes in the ceiling at the position you want the light to be installed and put in the screws
- Place the hanging ropes on the clivers of the expansion screws and adjust the ropes to the suitable length
- Hang the luminaire on the hooks of the ropes make sure the safety clip is completely closed
- Connect the driver to the power line.



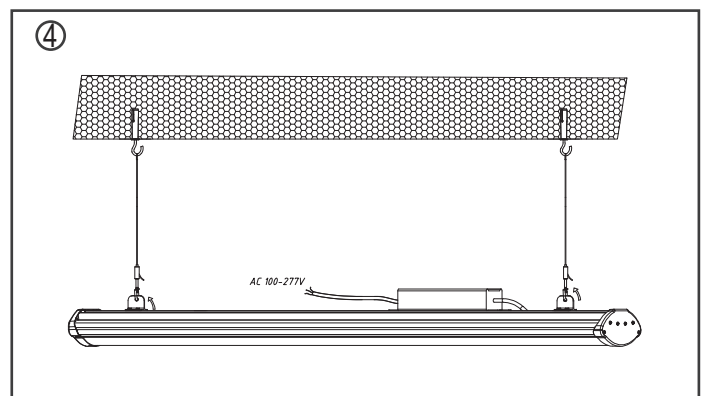
Drill two hole with diameter 10mm in the ceiling or wall



Fix the M8 explosion screws in the hole



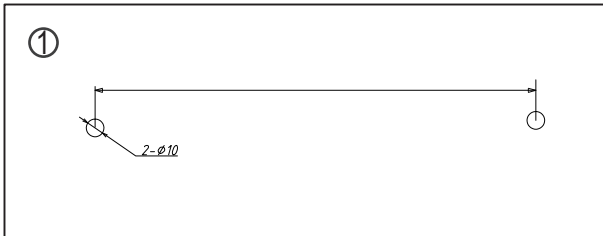
Hang the rope on explosion screw. In the end of the rope, the length of rope can be adjusted.



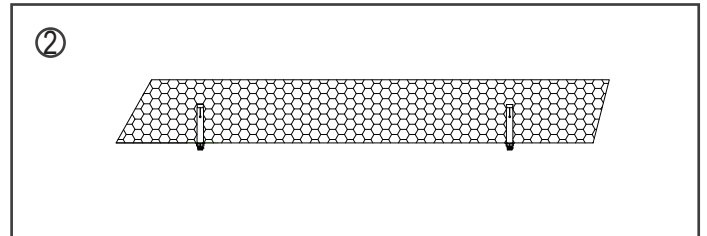
Connect the fixture to the rope and then connect to the AC power 100-277

Installation Instructions for Surface mounting

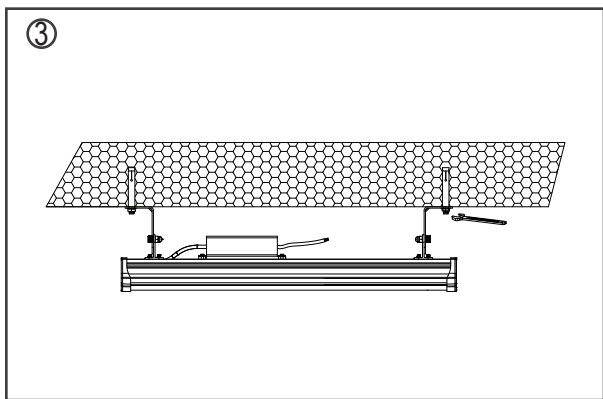
- The modification must be done by qualified personal
- Before you start make sure that the supply voltage is disconnected so you can work safely
- Drill two 10mm holes in the ceiling at the position you want the light to be installed and put in the screws
- Hang the luminaire on the clivers of the expansion screws
- Connect the driver to the power line.



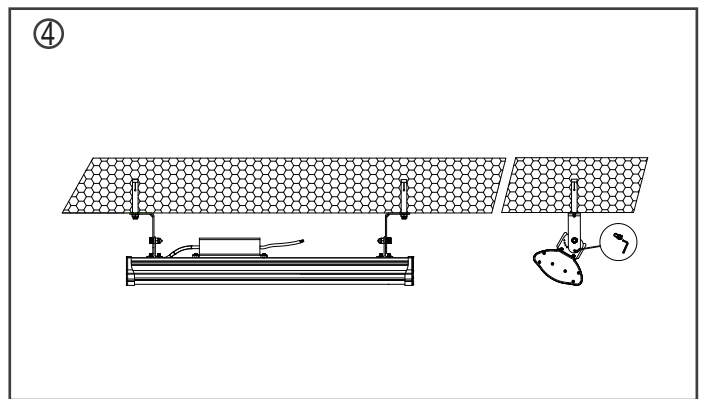
Drill two $\phi 10$ mm holes on the ceiling according to the length of the luminaries



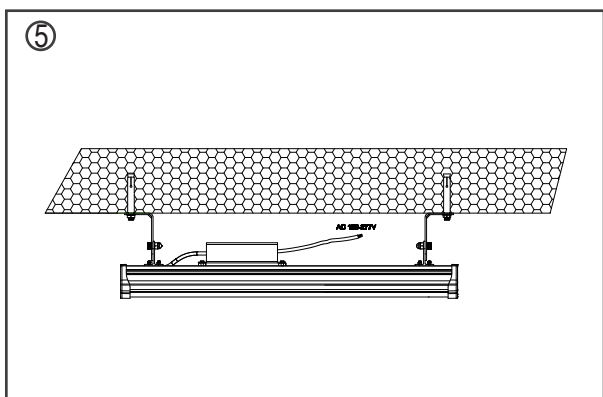
Fix the M8 expansion screw on the ceiling



Put the hanging accessories on the expansion screw and tighten them with a wrench.



Use the M3 screw to fix the desired angle and then tighten the nut with a wrench



Connect to power supply AC 100-277V.

Maintenance

○ To avoid injuries, disconnect power to the light and allow the unit to cool down before performing maintenance.

⚠ Warning: No user serviceable parts inside. Risk of electric shock. Removal of the lens will void the warranty.

○ Perform visual, mechanical and electrical inspections on a regular basis. We recommend routine checks to be made on an annual basis. Frequency of use and environment should determine this.

○ The lens should be cleaned periodically as needed to ensure continued photometric performance. Clean the lens with a damp, non-abrasive, lint-free cloth. If not sufficient, use mild soap or a liquid cleaner. Do not use an abrasive, strong alkaline or acid cleaner as damage may occur.

○ Inspect the cooling surfaces and fins on the luminaire to ensure that they are free of any obstructions or contamination (i.e. excessive dust build-up). Clean with a non-abrasive cloth if needed.

All statements, technical information and recommendations contained in this document are based on information and tests we believe to be reliable. The accuracy or completeness thereof is not guaranteed. We reserve the right to revise or update this document without notice. Since the conditions of use are outside our control, the purchaser should determine the suitability of the product for its intended use and assumes all risk and liability whatsoever in connection therewith.