



FEATURES

- 3.5" architectural LED downlight and wall wash cylinder
- Seamless heavy gauge aluminum cylinder body with a clean
- Available in Surface, Wall, Pendant, or Cord Mount configurations
- High purity spun aluminum reflector
- 2700K - 6000K, 80+ CRI
- Customized sizes

- Power: 18W
- Input Voltage: 100-277Vac,50/60HZ
- LED Color: White(2700K,3000K,4000K, 5000K,6000K) Blue,Green
- Finish Color: Bronze,Black,White
- Power Factor: >0.95
- Material: Die-casting Aluminum body & tempered glass cover & aluminum heat sink
- IP Grade: Indoor or Semi-outdoor
- Driver: Built-in waterproof driver
- Option: Single sided available
- Warranty: 5 Year

Technical Specifications

Listings

- cETLus
- Wall Mount: Suitable for wet locations
- Surface & Pendant Mount: Suitable for wet locations under covered ceiling
- Cord Mount and all Wall Wash: Suitable for damp locations



Warranty time: 5 years

To prevent injury or damage to property, this product must be installed in accordance with National Electrical Code (NFPA70) in the US or Canadian Electrical Code (CSA 22.1) in Canada.

Risk of fire or electric shock. The electrical rating of these products are 100-277 Vac, the installer must determine whether they have 100-277 V at the luminaire before installation.

Risk of fire or electric shock. Installation requires knowledge of luminaires electrical systems. If not qualified, do not attempt installation. Contact a qualified electrician.

To prevent wiring damage or abrasion, do not expose wiring to edges of sheet metal or other sharp objects.

Disconnect power before installing the product or servicing it.

Wait until the fixture has cooled down before installing or servicing the fixture.

Min. 90°C Supply Conductors

Warranty Period assumes that the Products are operated for less than 8 hours per day.

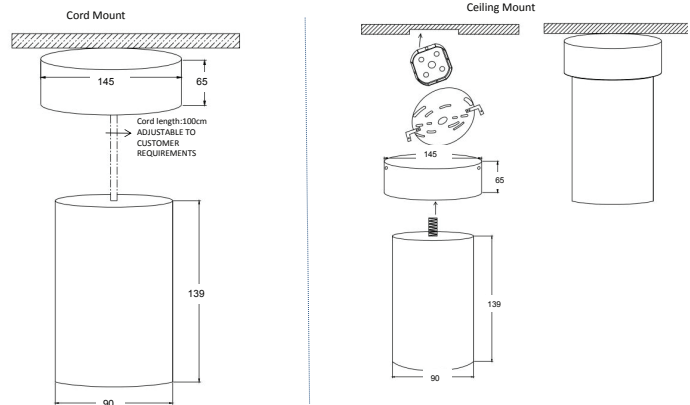
Electrical

- Chip-on-board LED
- Multiple CCTs
- Long life span leds
- Universal voltage 120V-277V driver,

Construction

- Select from 4 durable powder coat paint architectural finishes or Brushed Aluminum
- Available in Surface, Wall, Pendant, or Cable/Cord mounting options
- Ceiling mount Driver is mounted in the canopy to dissipate heat away from the LED module and extend life expectancy
- Wall Mount driver is integral in cylinder
- Integral driver versions allow direct mounting to a standard 4" octagonal or square junction box

Dimension:(Unit:mm)





APPLICATION

Hallway, Garage, Dining Room, Bedroom, Pathway, Hotel, Shopping mall etc.



Installations-Ceiling/Cord Mount

Steps:

- 1) Make the wiring connections at the J-Box
Then remove the Mounting Plate from the back of the cylinder by unscrewing the Set Screws.
- 2) Use J-Box Mounting Screws to fasten the Mounting Plate to the J-Box on the intended surface, it mounts to a standard sized J-Box.
- 3) Reattach the cylinder to the mounting plate using canopy Set Screws. Tighten them evenly to ensure fixture is level.
- 4) For exterior applications, installer must silicone caulk the outer edge of the fixture that comes in contact with the mounting surface. This is critical for a safe and reliable installation.
- 5) Restore power to circuit then test fixture.

