

UP/DOWN or UP/DOWN ONLY SCONCE LIGHTS



Advantages:

- Designed with the look of traditional wall fixture. Sealed fixture is IP65,dirt and bug fee.
- Heat and performance is most reliable .
- Easy installation .
- Instant on/off.
- cETLus certification,50,000hrs, 3 years limited warranty.



Product Brief

KRUT LED Up and down lights Give your outdoor spaces a bright modern look with this contemporary outdoor wall light fixture.

The sleek style shines light upwards or downwards for atmospheric ambient light as well as useful illumination along walkways.

The Cylinder design is constructed from solid aluminum and features a bronze finish with a tempered glass lens.

Available in different colors to coordinate with most any outdoor design scheme.

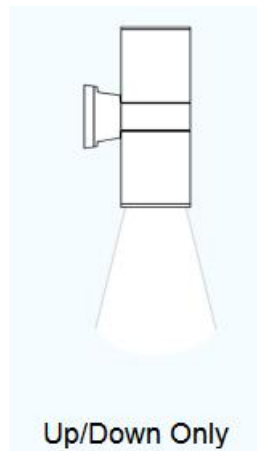
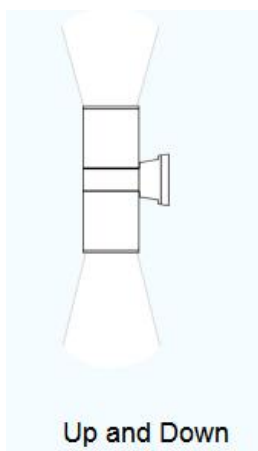


UP/DOWN or UP/DOWN ONLY SCONCE LIGHTS

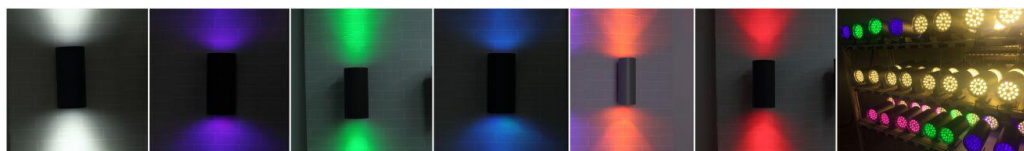
Technical Specifications

Wattage	Size	Input Voltage	PF	IP Grade	Color	Type
2*9W(18W)	Φ108*300mm	100-277Vac, 50/60HZ	>0.95	IP66	CW/WW R/B/G/P/RGB	Up and down
2*12W(24w)	Φ145*300mm	100-277Vac, 50/60HZ	>0.95	IP66	CW/WW R/B/G/P/RGB	Up and down
2*18W(36w)	Φ145*300mm	100-277Vac, 50/60HZ	>0.95	IP66	CW/WW R/B/G/P/RGB	Up and down
2*20W(40w)	Φ145*300mm	100-277Vac, 50/60HZ	>0.95	IP66	CW/WW R/B/G/P/RGB	Up and down
2*24W(48W)	Φ160*300mm	100-277Vac, 50/60HZ	>0.95	IP66	CW/WW R/B/G/P/RGB	Up and down
2*30W(60W)	Φ160*300mm	100-277Vac, 50/60HZ	>0.95	IP66	CW/WW R/B/G/P/RGB	Up and down
2*36W(72W)	Φ160*300mm	100-277Vac, 50/60HZ	>0.95	IP66	CW/WW R/B/G/P/RGB	Up and down

Wattage	Size	Input Voltage	PF	IP Grade	Color	Type
9W	Φ108*300mm	100-277Vac, 50/60HZ	>0.95	IP66	CW/WW R/B/G/P/RGB	Up or down only
12W	Φ145*300mm	100-277Vac, 50/60HZ	>0.95	IP66	CW/WW R/B/G/P/RGB	Up or down only
18W	Φ145*300mm	100-277Vac, 50/60HZ	>0.95	IP66	CW/WW R/B/G/P/RGB	Up or down only
20W	Φ145*300mm	100-277Vac, 50/60HZ	>0.95	IP66	CW/WW R/B/G/P/RGB	Up or down only
24W	Φ160*300mm	100-277Vac, 50/60HZ	>0.95	IP66	CW/WW R/B/G/P/RGB	Up or down only
30W	Φ160*300mm	100-277Vac, 50/60HZ	>0.95	IP66	CW/WW R/B/G/P/RGB	Up or down only
36W	Φ180*300mm	100-277Vac, 50/60HZ	>0.95	IP66	CW/WW R/B/G/P/RGB	Up or down only

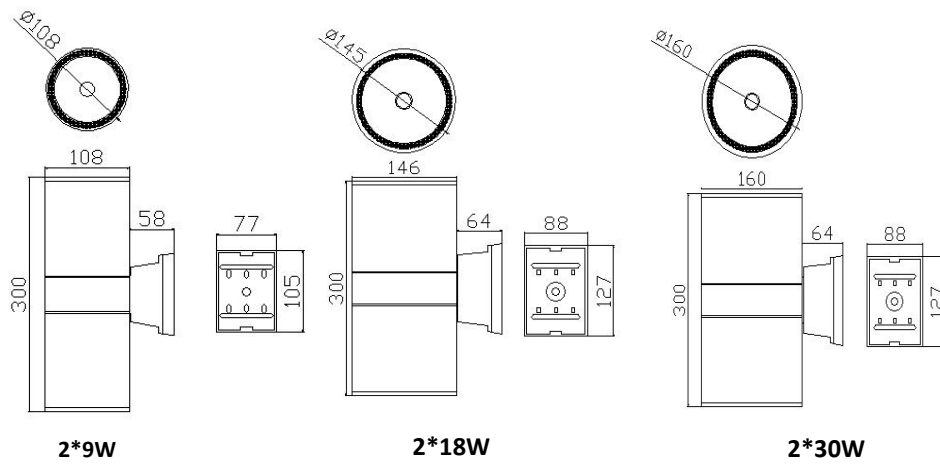


15°	30°	45°	60°
Beam angle			
The smaller of the beam angle, the lighting farther away			



UP/DOWN or UP/DOWN ONLY SCONCE LIGHTS

Dimension



Structure



Features

High performance LM-80 LED for significant energy saving.

Available with dusk to dawn sensor.

Sealed fixture is IP65, dirt and bug free.

Multi sizes are available.

Aluminum body & glass cover & aluminum heat sink.

Dust proof, Shatter proof and Waterproof with protection class IP66.

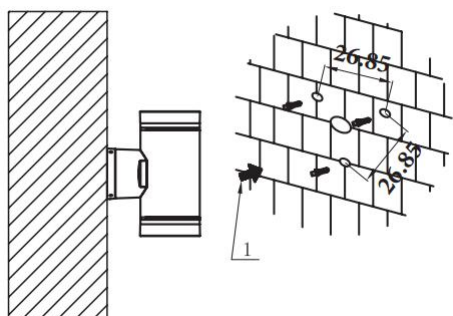
No UV rays, no noise, no flickering.

Hi-quality shatter resistant glass.

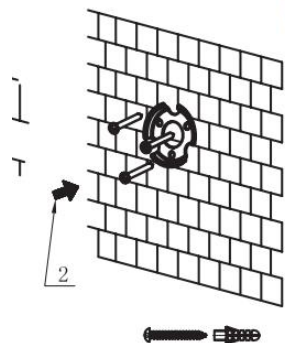
15° /30° /45° /60° beam angles are available

UP/DOWN or UP/DOWN ONLY SCONCE LIGHTS

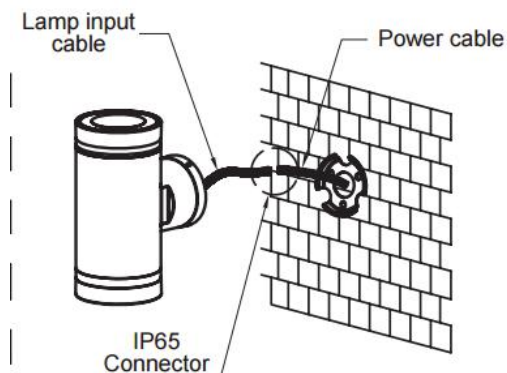
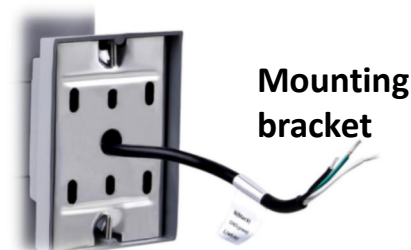
Installation Guide



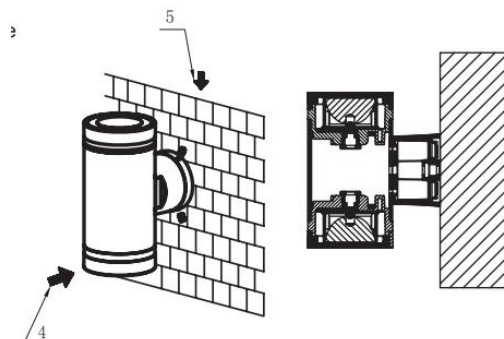
1) Drill 4 holes on the mounting surface according to the sizes shown on the above figure



2) Fix the mounting bracket on the mounting face with 4PCS self-tapping screws



3) Connect the lamp input cable and the power cable



4) Fix the lamp onto mounting bracket

5) Tighten the 4PCS screws to fix the lamp housing onto the installation surface

⚠ WARNING ⚠

WARNING: RISK OF ELECTRICAL SHOCK. TURN OFF POWER BEFORE INSTALLING, REMOVING OR INSPECTING.

WARNING: ALL WIRING TO BE PERFORMED IN ACCORDANCE WITH ELECTRICAL CODE AND LOCAL ELECTRICAL CODE

WARNING: RISK OF FIRE. FIXTURES ARE RATED FOR USE IN 100-277Vac, 50-60HZ PROTECTED CIRCUIT AND 90°C RATED SUPPLY WIRE.

WARNING: RISK OF CUT. THE ENCLOSED PRODUCT MAY HAVE SHARP EDGES, WEAR GLOVES TO PREVENT CUTS WHEN HANDLING, REMOVING, INSTALLING AND MAINTAINING THIS PRODUCT.

UP/DOWN or UP/DOWN ONLY SCONCE LIGHTS



Package

Parts Name	Number	application
	1	Product
	1	EVA Gasket
	1	Metal clip plate



Φ108*300mm	Φ145*300mm	Φ160*300mm
1PCS/inner box	1PCS/inner box	1PCS/inner box
4PCS/carton	4PCS/carton	4PCS/carton
13.1KGS/carton	15.24KGS/carton	17KGS/carton