

KL80SWPXX-R



Advantages:

- UL, DLC certificate;
- IP65 Internal driver, Input voltage 100-277Vac;
- No UV or IR in the beam;
- Easy to install and operate;
- Energy saving, long lifespan;
- Instant start, NO flickering, NO humming;
- Green and eco-friendly without mercury;

Technical Characteristics

Color Temp:	4K, 4K5, 5K	LED Quantity	270 PCS
CRI	>80	LED Type	0.5W
Lumen	9200-10000LM	Housing	Aluminum(ADC12) +PC
Lumen Efficacy	115-125LM/W	Dimensions	360.5x235x194mm
Input Power	80W		
Viewing Angle	110°		
Input Voltage	100-277Vac 50/60Hz		
PF	≥0.9		
Driver Model	China Brand Driver		
Waterproof Rating	Wet (IP 65)		

Application:

- entrance lighting, courtyard lighting;
- Industrial lighting, Outdoor landscape lighting;
- Building, The hotel;
- Wall lighting area and so on.

Housing Color: Bronze

Technical Specifications

Listings

UL Listing:

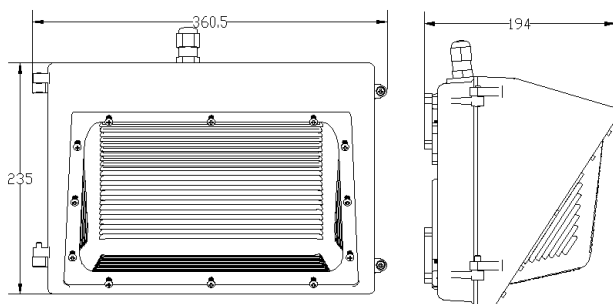
UL code: E473338

DLC Listed

IP65: Suitable for wet locations



Dimensions



Operating conditions

Operating temperatures:

-20°C TO 45°C

Operating Humidity:

20%-90% RH

Storage Temperature

-30°C TO 80°C

Storage Humidity:

10%-95% RH

Application:

Indoor/Outdoor

Others

Warranty time: 5 years

Notice for Users

- Please turn off power before install or change assembly parts.
- The input voltage and lamps should be matched, after connecting the power line, Please make sure the wiring section is insulated.
- No-professionals, must not install and disassemble the lamps.

KL80SWPXX-R

Order Information

KL - Watt - SWP - CCT - R

KL - 80 - SWP -

 4K
 4K5
 5K
 - R

KL - 80 - SWP - -

Package

Lamps Net Weight: 3.5kg / pc

	Size	Qty/Carton	Weight/Carton
Cardboard	400x300x240mm	1	4.6 KG

