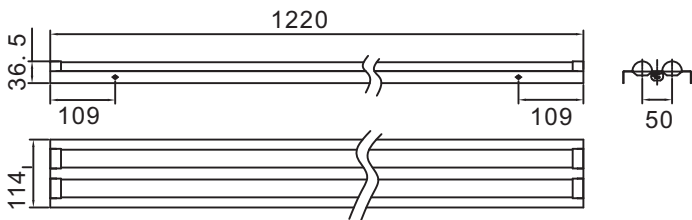


110/130LM/W Efficiency

4 FOOT LED STRIP RETROFIT KIT



DIMENSIONS



Product	L(mm)	W(mm)	H(mm)
KLTPS35TLNXX4F-35	1220	114	36.5

SPECIFICATIONS

Input Voltage	AC100-277v
Operating Frequency	50/60Hz
Power Factor	>0.95
THD	<15%
CCT	4000/4500/5000K
CRI	>80
Beam Angle	120°
Rated life:	50,000Hrs
Warranty	5 years

PARAMETERS

Model Name	Wattage	CCT	Lumens	Efficiency
KLTPS35TLNXX4F-35WB(XXYZ)	35W	4000/4500/5000K	3850LM/4550LM	110LM/W/130LM/W

*"XX" can be any number, represents color temperature;"Y" can be "B", "C", "G", "S", "P", represents light efficiency, S=110LM/W, P=130LM/W;
 "Z" can be F = Milky white cover, C = transparency, R = White Stripes, S = Transparent Stripes, represents different diffuser.

Contact us

Krut LED LLC

Phone: 864-401-8156 Email: sales@krut-led.com Web: www.krut-led.com
 111 Preamble Court, Anderson, SC-29621

INSTALLATION GUIDE

⚠ WARNING RISK OF ELECTRIC SHOCK. DISCONNECT MAIN POWER AT FUSE OR CIRCUIT BREAKER BEFORE INSTALLING OR SERVICING THE FIXTURE

I INSTALLATION KITS



4* Self-drilling Screws 10#-16T



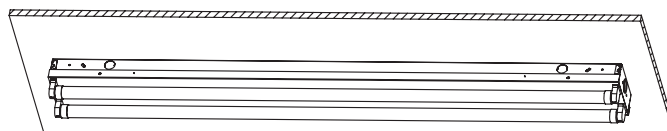
4*nylon spacer



1*screw

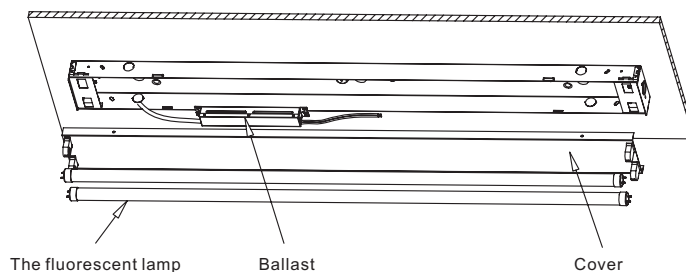
II INSTALLATION INSTRUCTIONS

1. Replacing traditional LED 4FT fluorescent bracket with 4 foot led strip retrofit kit. Disconnect the power supply before installation.



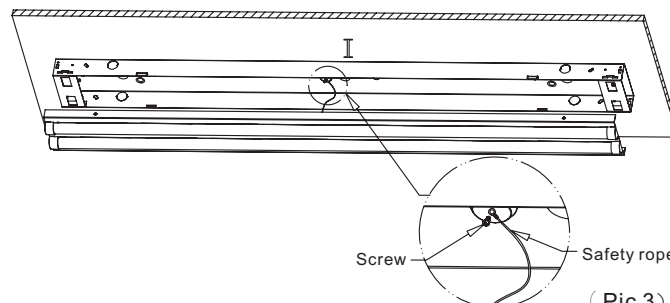
Traditional LED 4FT Fluorescent bracket (Pic 1)

2. Remove the fluorescent lamp, the cover of the fluorescent lamp and the ballast. Disconnect the unnecessary wire except the AC input wire.(Pic 2)



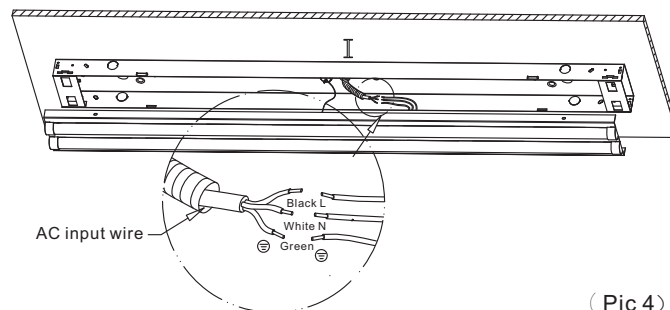
(Pic 2)

3. Fix the safety rope of 4 foot led strip retrofit kit in the fixture chassis with screws.(Pic 3)



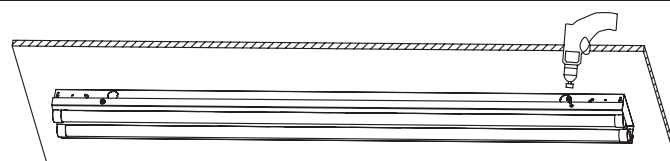
(Pic 3)

4. Connecting the Black "L", White "N" and Green "N" accordingly.(Pic 4)



(Pic 4)

5. Place nylon spacers into self-drilling screws. Fix the 4 foot led strip retrofit kit in the interior case with the screws by self-drilling screw gun. The installation is done.



(Pic 5)

Contact us

Krut LED LLC

Phone: 864-401-8156 Email: sales@krut-led.com Web: www.krut-led.com
111 Preamble Court, Anderson, SC-29621