

KLHL-HBXXWXXA1NUS-A



Space series high bay is a patented product designed by a famous German designer with good heat dispersion, light weight and anti-corrosion.

TECHNICAL PARAMETERS:

Model	100W	150W	200W	240W	300W	400W	500W
Lumen Output	13,000lm 14,000lm	19,500lm 21,000lm	26,000lm 28,000lm	31,200lm 33,600lm	39,000lm 42,000lm	52,000lm 56,000lm	65,000lm 70,000lm
Lumen Efficiency	130lm/w, 140lm/w	130lm/w, 140lm/w	130lm/w, 140lm/w	130lm/w, 140lm/w	130lm/w, 140lm/w	130lm/w, 140lm/w	130lm/w, 140lm/w
CCT	3000K/4000K/5000K/5700K/6500K						
CRI	> 80Ra						
Light source	PHILIPS, LG, NICHIA						
Beam Angle	60°/90°/120°	60°/90°/120°	60°/90°/120°	60°/90°/120°	60°/90°/120°	80°/120°	80°/120°
Lamp Dimensions	Φ260*H159.5mm	Φ260*H159.5mm	Φ260*H162.0mm	Φ320*H151.5mm	Φ320*H151.7mm	Φ360*H215mm	Φ360*H215mm
Input Voltage	100-277V/240-480V						
Power Factor	>0.93						
THD	<15%						
Driver	Meanwell						
Operating Temp Range	-30°C TO +50°C						
IP Rating	Ip65						
Dimming control (Optional)	Yes						
Certifications	UL, DLC pending		UL, DLC pending			UL, DLC pending	

MOUNTING OPTIONS:



Hook Mount
(100-277V only)



Dimmable:
1-10V:(100-277V & 200V-480V)
Dali:(100-277V)

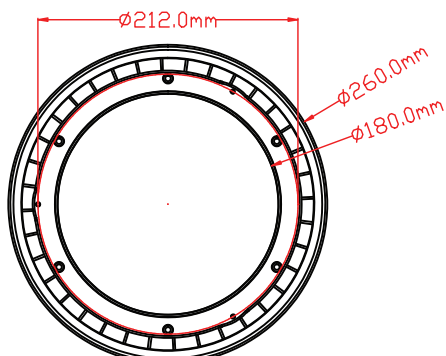
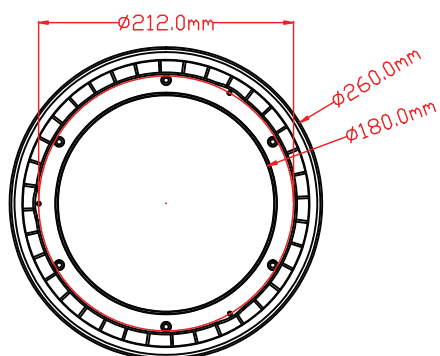
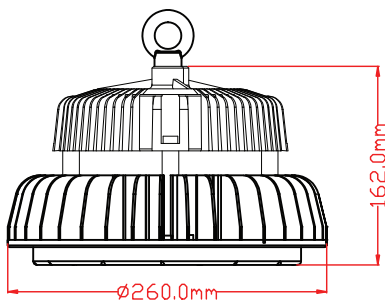
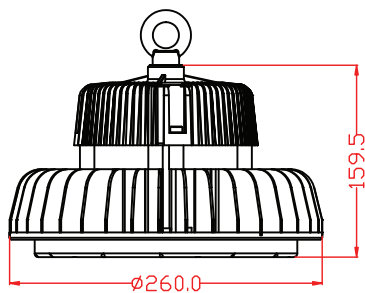


Flood Light Bracket adjustable angle
(100-277V only)



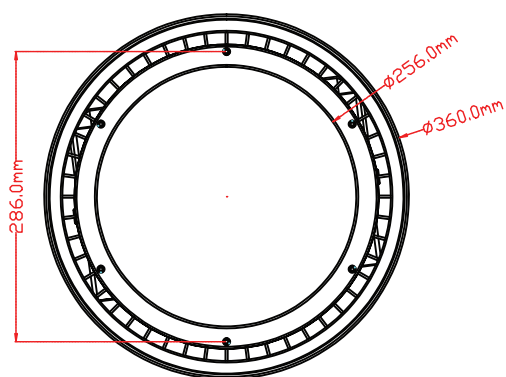
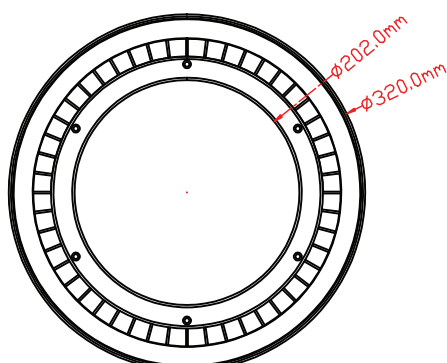
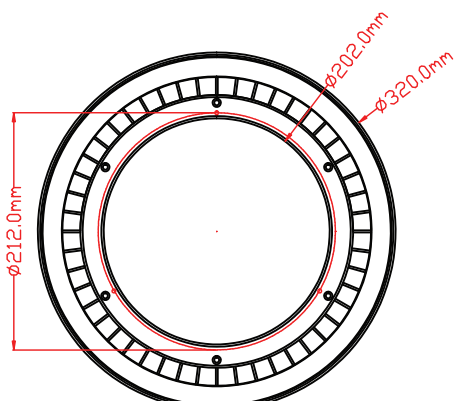
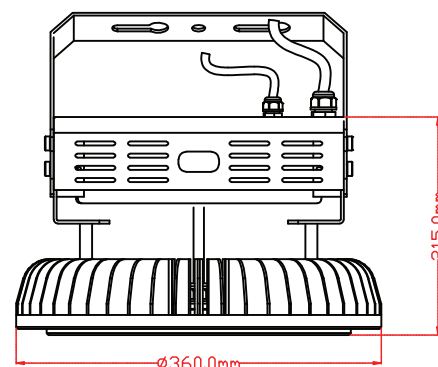
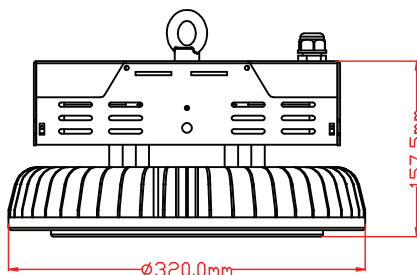
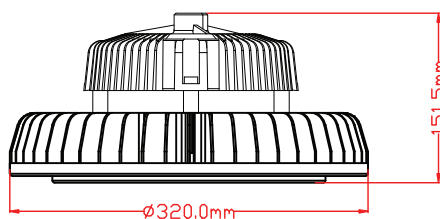
Type U Bracket
(100-277V & 200V-480V)

DIMENSION:



100W-150W

200W



240W

300W

400W-500W

KLHL-HBXXWXXA1NUS-A

Order Information

KL - HL-HB - Wattage - XX - A1NUS-A

KL	HL-HB	100W	11	A1NUS-A
		150W	12	
		200W	14	
		240W	24	
		300W	26	
		400W		
		500W		

KL - HL - [] - [] - A1NUS-A

MOUNTING OPTIONS:



12 PC



3 PC

WARNING

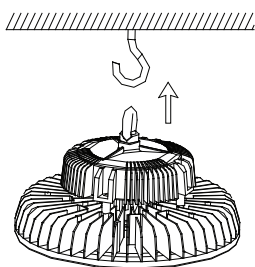
- To avoid damage, falling, electric shock or fire, please do not modify the lamp or replace accessories without confirming with the supplier first.
- Please authorize only qualified personnel to install the lamp and ensure they follow the instruction manual. Any improper installation might cause falling, electric shock, fire, or other injury, damage or hazard.
- Please disconnect power before installation or any maintenance of the lamp.
- Please disconnect power if it begins to smoke or emit odors, since fire or electric shock may occur.
- Ask qualified person to inspect and maintain the luminaire.
- Please do not dismantle the lamp without the supplier's authorization.
- Please do not touch the power supply when the lamp is operating.
- If the external flexible cable or cord of the luminaire is damaged, it should only be replaced by the supplier, a service agent or qualified person.

WARRANTY

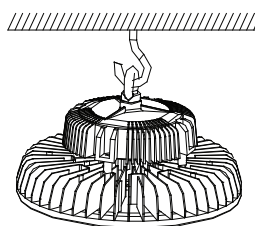
- Five-year warranty. Free maintenance will be provided during the warranty period if the lamp suffers quality problems. The client is responsible for the costs and quality of lamp installation.
- During the warranty period, the client shall send the damaged goods or failed parts for inspection and repair by the supplier. The supplier shall then send the fixed or new parts back. The sending party shall bear any freight costs accordingly.
- Maintenance service will be provided once valid documents are presented.
- The following circumstances will not attract free maintenance:
 - a. Damage caused by human beings, including, but not limited to, damage from abnormal working conditions, improper usage, storage that does not conform to the instruction manual;
 - b. Dismantling or modification or improper maintenance or repairing of the products without the supplier's authorization;
 - c. NO valid documents;
 - d. Damages caused by user's improper delivery, or force majeure including, but not limited to, fire flood, thunder hit, earthquake.

The vendor has the sole right to interpretation and amendment of the above articles.

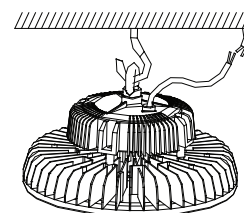
Installation



Drilling a hole in the ceiling, install a hook.

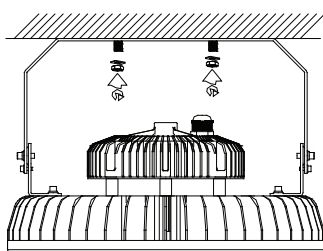


Hanging the fixture.

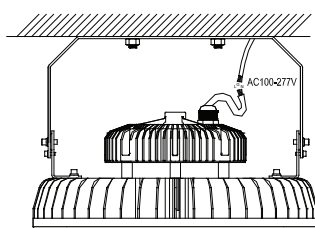


AC100-277V
All wiring finished inside the junction box.

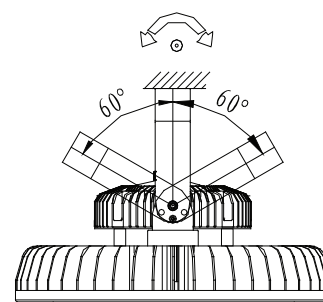
Connect the cables. black-L, white-N, Yellow green-Ground take care of the waterproof processing.



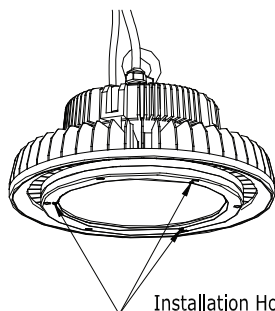
Fix the bracket.



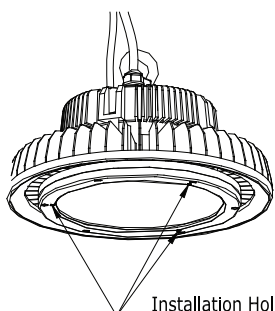
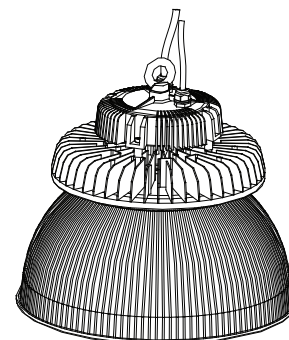
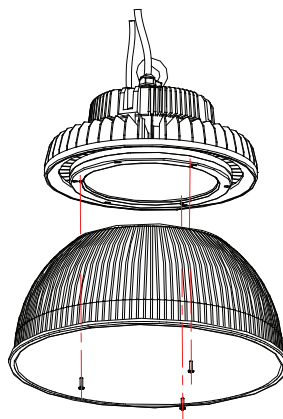
Connect the cables. black-L, white-N, Yellow green-Ground take care of the waterproof processing.



Adjust the bracket to the beam angle you need.



Installation Hold for PC Reflector



Installation Hold for Aluminum Reflector

