

# KLBR18WPXX



### Advantages:

- UL, DLC certificate;
- IP65 Internal driver, Input voltage 100-277Vac;
- No UV or IR in the beam;
- Easy to install and operate;
- Energy saving, long lifespan;
- Instant start, NO flickering, NO humming;
- Green and eco-friendly without mercury;

### Technical Characteristics

Color Temp:	4K, 4K5, 5K	Housing	Die Casting Aluminum
CRI	>80	Dimensions	152.7 X 91.2 X 232.7mm
Lumen	2000 LM		
Lumen Efficacy	110 LM/W		
Input Power	18W		
Beam Angle	108°		
Input Voltage	100-277Vac 50/60Hz		
PF	≥0.95		
Driver Model	China Brand Driver		
Waterproof Rating	Wet (IP 65)		

### Application:

- Loading bays & forecourts.
- Factories & warehouses.
- Indoor & outdoor car parks.
- Walkways & access areas.

**Housing Color: Bronze**

### Technical Specifications

#### Listings

##### UL Listing:

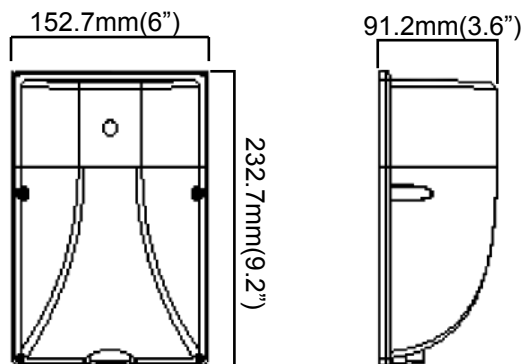
UL code: E473338

##### DLC Listed

IP65: Suitable for wet locations



#### Dimensions



#### Accessories (Optional)



**Photocell**

#### Operating conditions

##### Operating temperatures:

-25°C TO 55°C

##### Operating Humidity:

20%-90% RH

##### Storage Temperature

-30°C TO 80°C

##### Storage Humidity:

10%- 95% RH

##### Application:

Indoor/Outdoor

##### Others

**Warranty time: 5 years**

#### Notice for Users

- Please turn off power before install or change assembly parts.
- The input voltage and lamps should be matched, after connecting the power line, Please make sure the wiring section is insulated.
- No-professionals, must not install and disassemble the lamps.

# KLBR18WPXX

## Order Information

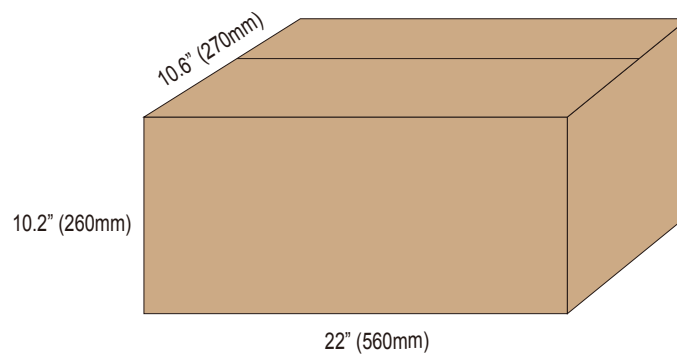
KL - BR - Watt - WP - CCT

KL - BR - 18 - WP - 4K  
 4K5  
 5K

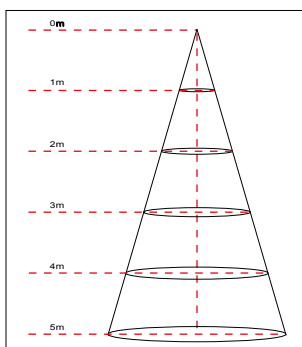
KL - BR - 18 - WP -

## Package

6pcs/CTN G.W.:9.5 kgs Dimension: 22"L x 10.6"W x 10.2"H (560 x 270 x 260 mm)

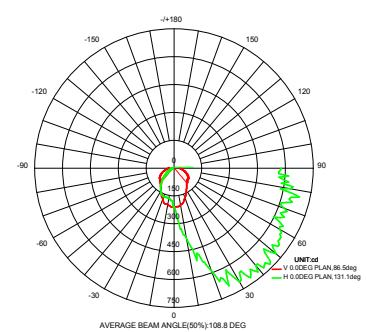


## Lux Chart



Height	Average Lux (lx)	Light range (dia.)
1M	179.9	188.2cm
2M	45.0	376.3cm
3M	20.0	564.5cm
4M	11.3	752.6cm
5M	7.2	940.8 cm

## Photometrics



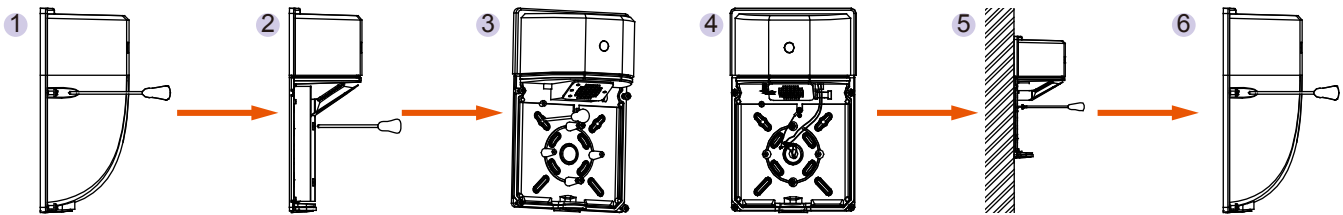
# KLBR18WPXX



## Installation

### READ AND FOLLOW ALL SAFETY INSTRUCTIONS

1. **ANGER- Risk of shock- Disconnect power before installation.**
2. This luminaire must be installed in accordance with the NEC or your local electrical code.
3. Suitable for wet location and operation in ambient not exceeding 40°C
4. in 75°C supply conductors.
5. Products are not intended for use in environments containing airborne corrosive agents such as chemical solvents, cleaners, or cutting fluids.
6. This luminaire is rated for 120V 60Hz only.
7. Replace the Lens if damaged



1. Remove the lens by removing the 2 screws securing it to the rear housing and set aside.
2. Loosen two screws enough to allow reflector to slide upward until keyhole in reflector releases from two screws. Remove reflector.
3. Knock out appropriate holes around outlet hole in rear housing and apply the gasket to the back surface of housing and fasten the rear housing to the outlet box using the screws supplied with the outlet box.
4. Complete the wiring to the power source and ground, Using customer supplied 90°C minimum rated wire connectors, make the following electrical connections in the mounting box or junction box:
  - a. Connect the black fixture lead to the voltage supply lead
  - b. Connect the white fixture lead to the neutral supply lead
  - c. Connect the ground lead to the supply ground lead.
  - d. To ensure rain tight seal, apply silicone caulking around back edges of fixture.
5. Replace reflector.
6. Replace front housing by reversing procedure used to remove it.