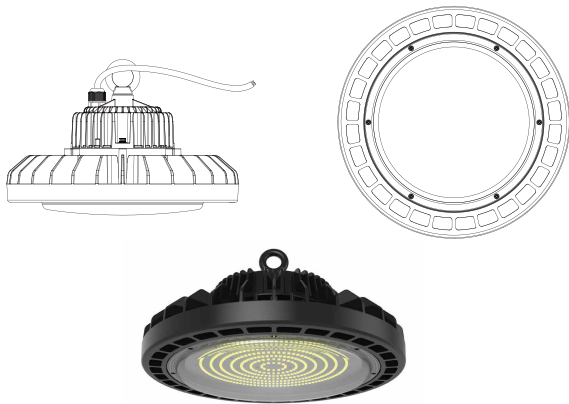


HB07 HERO SERIES

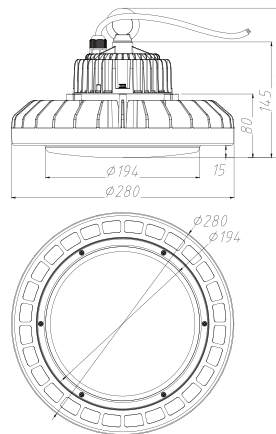


Advantages:

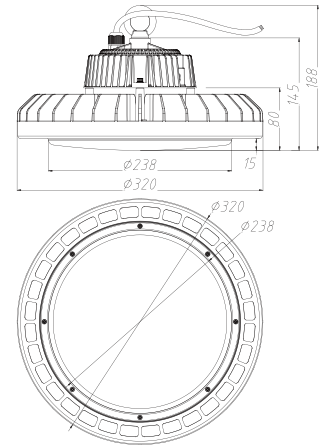
- Energy efficient - up to 180 lm/w
- High Luminous flux - up to 34.000 lm
- Durable and compact low-profile housing design
- IP65 for indoor and outdoor applications
- 5 years warranty

Dimensions

HB07-100W/150W



HB07-200W



Lumen Standard (130lm/W)

Model	Nominal wattages (W)	Nominal voltage	Rated luminous efficacy (lm/w)	Nominal luminous flux (lumen)	Beam Angle	LED Quantity	CRI
HB07-100W	100W	AC100~277V 50~60Hz	130±10	13000±1000	110°	176 PCS 1W 2835	>80
HB07-150W	150W		130±10	19500±1500		272 PCS 1W 2835	
HB07-200W	200W		130±10	26000±2000		368 PCS 1W 2835	

Lumen Plus (165lm/W)

Model	Nominal wattages (W)	Nominal voltage	Rated luminous efficacy (lm/w)	Nominal luminous flux (lumen)	Beam Angle	LED Quantity	CRI
HB07-100W	100W	AC100~277V 50~60Hz	165±10	16500±1000	110°	306 PCS 1W 2835	>80
HB07-150W	150W		165±10	24750±1500		459 PCS 1W 2835	
HB07-200W	200W		165±10	33000±2000		612 PCS 1W 2835	

Lumen Plus+ (180lm/W)

Model	Nominal wattages (W)	Nominal voltage	Rated luminous efficacy (lm/w)	Nominal luminous flux (lumen)	Beam Angle	LED Quantity	CRI
HB07-100W	100W	AC100~277V 50~60Hz	180±10	18000±1000	110°	306 PCS 1W 2835	>70
HB07-150W	150W		180±10	27000±1500		459 PCS 1W 2835	
HB07-200W	200W		180±10	36000±2000		612 PCS 1W 2835	



HB07 HERO SERIES

Electrical data

Operating frequency	47-63HZ	Available light colors	warm white;natural white; daylight white
Type of current	AC100-277V	Available color temperatures	3000K;4000K;5000K;6000K
Power factor λ	>0.95	Color rendering index Ra	>80 or >70
Efficiency in %	>91%	Standard deviation of color matching	< 5
Start time (0.2s / 0.5s / ...)	0.1S	UGR (Unified Glare Rating)	<30
Warm-up time to 60 % (1.5s / 2s / ...)	0.5S	Available beam angles	60° / 90° / 110°

Photometrical data

Standards & Certification

Type of protection	IP65	Heatsink temperature	5~+70 C
Tested dielectric strength	3.75KVac	Ambient temperature	-30~+55 C
Safety features	Open circuit protection; short circuit protection ; overvoltage protection	Storage temperature	-40~+80 C
Certificates	SAA CE ROHS		
Energy efficiency class	A+		

Temperatures & operating conditions

Lifespan

Rated nominal Lifetime	50.000 hours	Base/Socket	Directly wired
Switching cycles	100.000 times	Dimmable	1-10V dimmable / DALI dimmable
Lumen maintenance at e.o.l.	70%		
LED Device Lifetime	L80/B10 @ 50.000H		

Features/Capabilities and additional product data

Packing Information

Model	Dimension(mm)	CTN SIZE(mm)	QTY/CTN	Net Weight/pcs(kg)	Gross Weight /CTN(kg)
HB07-100W/150W	Φ280*188	36*35*27	1PCS	3.5	4.5
HB07-200W	Φ320*188	39*36*27	1PCS	4.3	5.5

HB07 HERO SERIES

Optional accessories



Dimmable driver 1-10V



DALI dimmable driver



IP65 microwave motion sensor
(Merrytec model:MC031V-C)



Surface mounting/wall mounting bracket



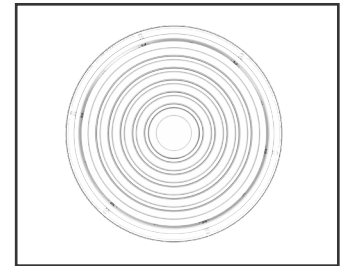
Safety rope(0.5m length)



Zigbee control



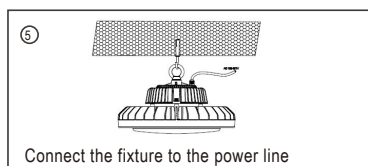
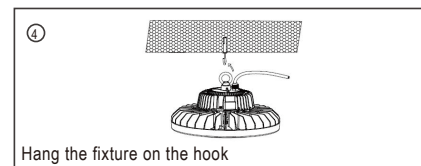
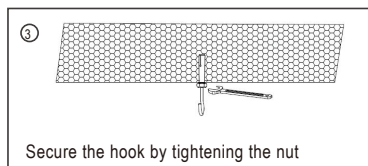
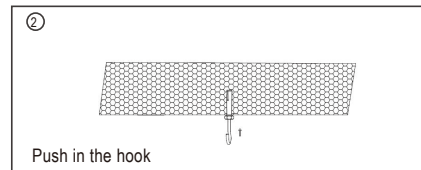
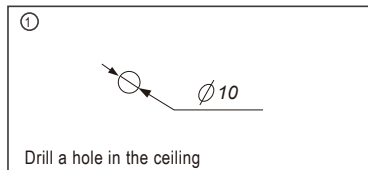
Frosted PC cover



60° / 90° lens

Installation Instructions

- Drill a 10mm hole at the position where you want to install the fixture
- Push the installation hook into the hole and secure it by tightening the nut
- Hang the fixture on the hook directly or by using a suspension chain
- Connect the power cable to the power line





HB07 HERO SERIES

Maintenance

- To avoid injuries, disconnect power to the light and allow the unit to cool down before performing maintenance.
- WARNING:** No user serviceable parts inside. Risk of electric shock. Removal of the cover will void the warranty.
- Perform visual, mechanical and electrical inspections on a regular basis. We recommend routine checks to be made on an annual basis. Frequency of use and environment should determine this.
- The cover should be cleaned periodically as needed to ensure continued photometric performance. Clean the cover with a damp, non-abrasive, lint-free cloth. If not sufficient, use mild soap or a liquid cleaner. Do not use an abrasive, strong alkaline or acid cleaner as damage may occur.
- Inspect the cooling surfaces and fins on the luminaire to ensure that they are free of any obstructions or contamination (i.e. excessive dust build-up). Clean with a non-abrasive cloth if needed.

Application and safety notes

- Carefully read and follow all warnings and instructions before installing or servicing the luminaire.
- The installation should be done by an individual familiar with the construction and operation of the luminaire.
- The installation of this luminaire must be in accordance with national and local building and electrical codes.
- The product must not be damaged or operated in a damaged condition.
- This luminaire must be directly wired on line. Any ballast or other power device previously used with the replaced luminaire must be removed.
- Between the luminaire and any possibly flammable material must be an appropriate safety space (at least 20cm).
- The luminaire must not be covered with heat insulating materials.
- Always provide proper ventilation around the luminaire and do not exceed the maximum ambient temperature.
- Compared to traditional lights the characteristic light distribution of this LED luminaire may differ. In order to be sure to meet your lighting requirements a photometric check of the installation is recommended.

All statements, technical information and recommendations contained in this document are based on information and tests we believe to be reliable. The accuracy or completeness thereof is not guaranteed. We reserve the right to revise or update this document without notice. Since the conditions of use are outside our control, the purchaser should determine the suitability of the product for its intended use and assumes all risk and liability whatsoever in connection therewith.